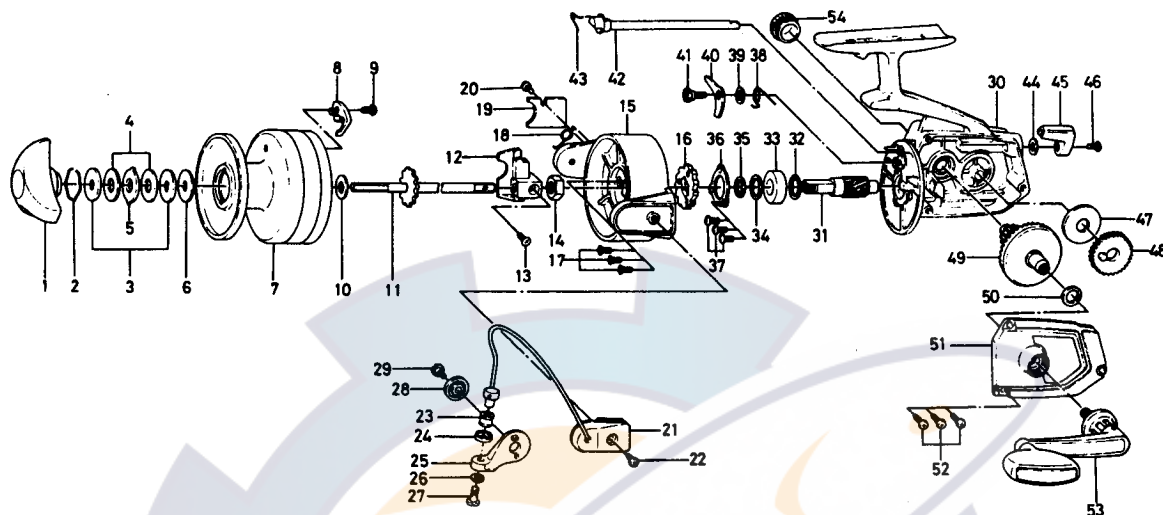


SPINNING REEL 400RL



KEY NO. 2 ~ 9
734-0302

SPOOL ASSEMBLY

Key No.	Parts No.	Parts Name	Key No.	Parts No.	Parts Name
1	000-8241	Drag knob	28	130-3201	Bail holder cap
2	170-4511	Drag washer retainer	29	363-1901	Arm lever screw
3	372-7812	Drag D washer	30	B38-5501	Body
4	372-9011	Disc washer	31	402-4611	Pinion gear
5	375-5401	Drag A washer	32	371-2822	Pinion adjusting washer
6	372-7701	Drag washer A	33	636-2611	Shaft metal
7	734-0402	Spool	34	371-2822	Pinion washer B
8	030-4411	Spool click claw	35	372-8600	Pinion washer A
9	351-6102	Spool click claw screw	36	634-7011	Pinion collar ret. washer
10	376-1701	Spool washer	37	351-6601	Pinion collar ret. washer screw
11	710-2214	Main shaft	38	142-3421	Anti-reverse claw spring
12	481-1011	Oscillating slider	39	373-2701	Anti-reverse claw washer
13	351-8901	Oscillating slider screw	40	110-9701	Anti-reverse claw
14	B10-5701	Rotor nut	41	362-4211	Anti-reverse claw screw
15	201-2223	Rotor	42	710-6111	Anti-reverse cam
16	280-4101	Ratchet	43	144-0321	Anti-reverse cam spring
17	352-0901	Ratchet screw	44	373-2700	Anti-reverse lever washer
18	145-1201	Bail spring	45	541-1902	Anti-reverse lever
19	633-0701	Bail spring cover	46	352-2501	Anti-reverse lever screw
20	351-1801	Bail spring cover screw	47	374-5400	Oscillating gear washer
21	725-1219	Bail	48	412-3611	Oscillating gear
22	351-6401	Bail holder screw	49	413-8501	Drive gear
23	250-4321	Line roller	50	371-2800	Drive gear washer
24	501-2001	Roller collar	51	B38-5601	Body cover
25	231-1901	Arm lever	52	351-8501	Body cover screw
26	375-1101	Bail washer	53	747-1502	Handle
27	363-3111	Bail screw	54	363-7401	Handle screw cap